

EQUIPMENT

TOR

- Robust and tough design
- Functions on diesel or kerosene
- Wide range of heaters from 67 to 115 kW
- Ideal for drying and heating
- Easy to operate
- Safety switch preventing overheating
- High pressure fuel pump
- Suitable for temporary and emergency heating
- Set to be connected to a room thermostat
- Suitable for outdoor use

TOR

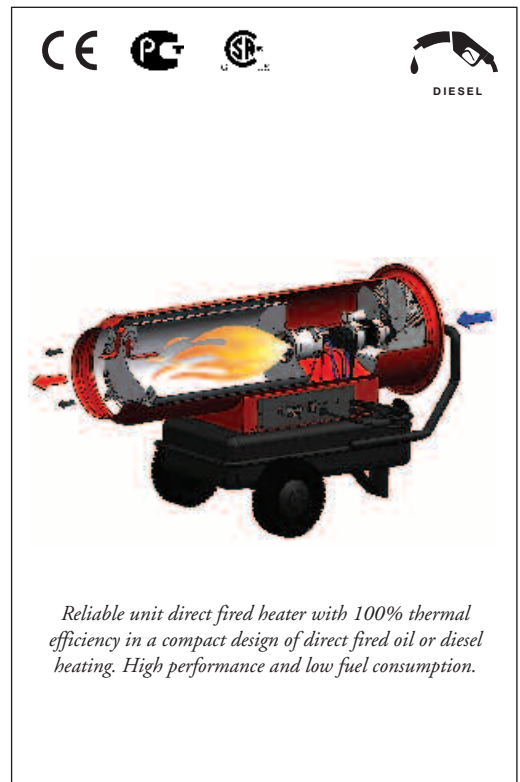
Mobile direct fired diesel heater



TOR heater line provides a cost effective spot heating for medium to large outdoor areas or indoor areas with continuous ventilation. These heaters are ideal for temporary heating, emergency heating and for drying in different application areas. TOR is an optimal choice for heating purpose on construction sites and for different temporary open structures. Ideal for concrete freeze protection, outdoor jobsites, crop drying and preheating and defrosting parts.

The principle of operation

TOR heaters are equipped with a pump that drives fuel under pressure to the burner nozzle. The fuel is sprayed into the combustion chamber and gets ignited. The motor fan provides a continuous air stream that comes into contact with the combustion gases in the combustion chamber. Hot air gets released from the front outlet.



Reliable unit direct fired heater with 100% thermal efficiency in a compact design of direct fired oil or diesel heating. High performance and low fuel consumption.

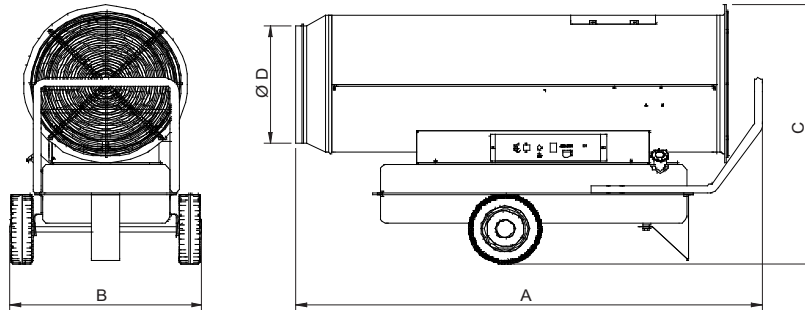
Design

TOR is fitted with wheels and can easily be moved around for maximum flexibility. The combustion chamber and front flame shield are made out of especially treated stainless steel, that withstands high temperature. The units are all auto-

matic and include a specially designed control board to operate the heater as well as controlling the flame. The models can be connected to a room thermostat and they are all equipped with safety devices to control the flame, prevent

overheating and also to optimize the fuel consumption.

TOR range is also suitable for outdoors usage and meeting the requirements of the IPX4D protection class.



Dimensions

	A		B		C		Ø D		Weight	
	[mm]	[inch]	[mm]	[inch]	[mm]	[inch]	[mm]	[inch]	[kg]	[lb]
TOR 67	1,405	55.31	620	24.41	750	29.53	308	12.13	65	142
TOR 115	1,680	66.14	690	27.17	898	35.35	443	17.44	101	223

Technical specifications

TOR model		67	115
Thermal Power	[kW]	66*	115*
	[kcal/h]	56,700*	99,100*
	[Btu/h]	227,000*	396,500*
Airflow	[m³/h]	2,800	4,800
	[cfm]	1,652	2,832
Motor Power	[W]	460	800
Fuel Consumption	liter/h [US gallon/h]	6.07 [1.61]	10.60 [2.81]
Tank Capacity	liter [US gallon]	51 [13.5]	100 [26.5]
Voltage		230V-50Hz	230V-50Hz
		110V-60Hz	110V-60Hz
Dual Voltage		110/230V-50Hz	110/230V-50Hz

*Based on upper calorific value H_s

TOR is a product of Munters Italy S.p.A., Italy.



Munters, HumiCool Division, Isafjordsgatan 1, P.O. Box 1150, SE-164 26 Kista, Sweden. Phone +46 8 626 63 00, Fax +46 8 754 56 66.

Munters Italy S.p.A., Corso Inghilterra 15, 12084 Mondovi, Italy. Phone +39 0174 560 600, Fax +39 0174 560 617.

www.munters.com

Australia Munters Pty Limited, Phone +61 2 6025 6422, **Brazil** Munters Brasil Industria e Comercio Ltda, Phone +55 41 3317 5050, **Canada** Munters Incorporated, Phone +1 905 858 5894, **China** Munters Air Treatment Equipment (Beijing) Co. Ltd., Phone +86 10 80 481 121, Phone +33 1 34 11 57 50, **Germany** Munters Euroform GmbH, Phone +49 241 89 00 0, **India** Munters India, Phone +91 20 3052 2520, **Indonesia** Munters, Phone +62 21 9105 4467, **Italy** Munters Italy S.p.A., **Chiusavecchia** Phone +39 0183-52 11, Munters Italy S.p.A., **Mondovi** Phone +39 0174 560 600, **Japan** Munters K.K., Phone +81 3 5970 0021, **Kingdom of Saudi Arabia and Middle East** Hawa Munters, Phone +966 1 241 8808, **Korea** Munters Korea Co. Ltd., Phone +82 2 761 8701, **Mexico** Munters Mexico, Phone +52 818 262 54 00, **Russia** Munters Europe AB, Phone +7 812 448 5740, **Singapore** Munters Pte Ltd., Phone +65 744 6828, **South Africa and Sub-Sahara Countries** Munters (Pty) Ltd., Phone +27 11 997 2000, **Spain** Munters Spain S.A., Phone +34 91 640 09 02, **Sweden** Munters Europe AB, Phone +46 8 626 63 00, **Thailand** Munters Co. Ltd., Phone +66 2 645 2708 12, **United Kingdom** Munters Ltd., Phone +44 845 644 3980, **USA** Munters Corporation **Fort Myers** Phone +1 239 936 1555, Munters Corporation **Mason** Phone +1 888 335 0100, **Vietnam** Munters Vietnam, Phone +84 8 825 6838, **Export & Other countries** Munters Europe AB, Phone +46 8 626 63 00.

Order information

TOR-XX-X-X e.g., TOR-67-E

Code for specifying size in kW.
67, 115

Code for specifying voltage.
E 230V-50Hz
V 110/230V-50Hz
U 110V-60Hz

For accessories see separate leaflet.

Your closest distributor