

EQUIPMENT

MIR

- Robust and tough design
- Functions on diesel or kerosene
- Indirect fired heater
- Wide range of heaters from 35-85 kW
- High thermal efficiency
- Ideal for drying and heating
- Easy to operate
- Safety switch preventing over-heating
- High pressure fuel pump
- Suitable for temporary and emergency heating
- Set to be connected to a room thermostat
- Suitable for outdoor use

MIR

Mobile and hanging indirect fired diesel heater



MIR heater line provide a cost effective heating for closed or less ventilated medium to large premises where people are present over a longer time. These heaters are ideal for temporary heating as well as emergency heating. They can typically be used on the construction site, in an assorted range of workshops and for different temporary structures such as tents. This is an ideal heater for various types of events.

The principle of operation

MIR range is equipped with a pump that drives fuel under pressure to the burner nozzle. The fuel is sprayed into the combustion chamber and gets ignited. The motor fan provides a continuous air stream that flows around the surfaces of the heat exchanger. Clean hot air gets released from the front outlet.

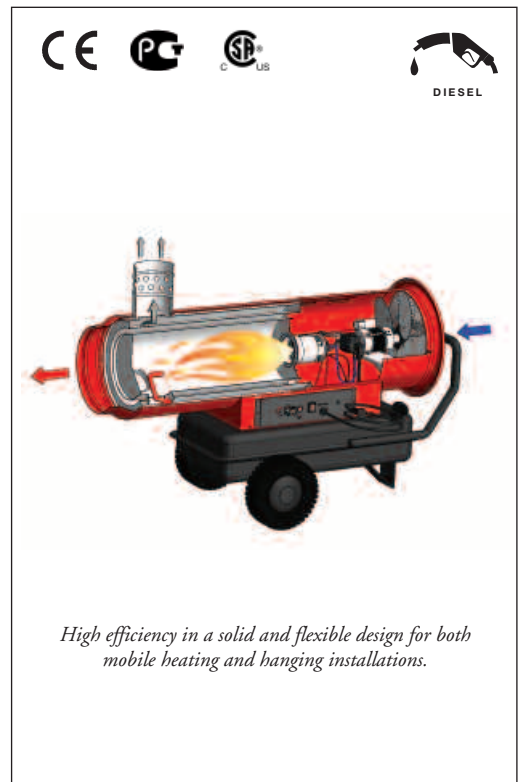
Design

The MIR (W) is fitted with wheels and can easily be moved around. MIR (S) range is fitted with a frame for suspended installation.

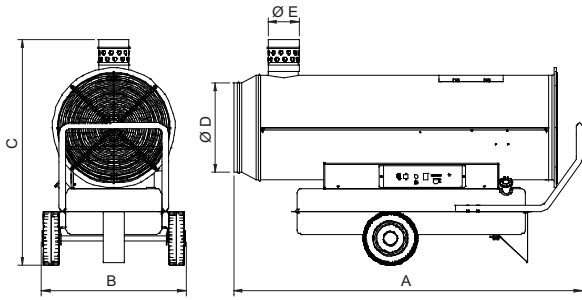
The combustion chambers on the whole range are made out of especially treated stainless steel to withstand high temperature. MIR is equipped with a flue gas adapter for connecting an exhaust pipe to duct exhaust fumes out of the premises.

The units are all automatic and include a control board to operate the heater as well as controlling the flame. The models can be connected to a room thermostat and they are all equipped with a safety device to control the flame, prevent overheating and also to optimize the fuel consumption.

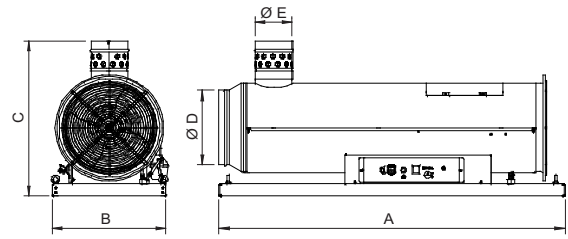
The units are also suitable for outdoors usage and meeting the requirements of the IPX4D protection class.



High efficiency in a solid and flexible design for both mobile heating and hanging installations.



MIR (W) indirect heater.



MIR (S) indirect heater suspended version.

Dimensions

	A		B		C		Ø D		Flue gas pipe Ø E		Weight	
	[mm]	[inch]	[mm]	[inch]	[mm]	[inch]	[mm]	[inch]	[mm]	[inch]	[kg]	[lb]
MIR 37 W	1,188	46.8	620	24.4	790	31.1	308	12.1	150	5,9	70	155
MIR 55 W	1,405	55.3	620	24.4	790	31.1	308	12.1	150	5,9	76	168
MIR 85 W	1,680	66.1	690	27.2	938	36.9	443	17.4	150	5,9	121	267
MIR 55 S	1,405	55.3	470	18.5	645	25.4	308	12.1	150	5,9	59	130
MIR 85 S	1,680	66.1	600	23.6	800	31.5	443	17.4	150	5,9	103	227

Technical specifications

MIR model		37 W	55 W	85 W	55 S	85 S
Thermal Power	[kW]	36.4*	52.5*	83.9*	52.5*	83.9*
	[kcal/h]	31,300*	42,500*	72,200*	42,500*	72,200*
	[Btu/h]	125,200*	180,900*	288,700*	180,900*	288,700*
Efficiency	[%]	87.10	87.10	88.50	87.10	88.50
	Airflow	[m ³ /h]	2,000	2,500	4,500	2,500
	[cfm]	1,180	1,475	2,655	1,475	2,655
Motor Power	[W]	460	460	800	460	800
Fuel Consumption	liter/h [US gallon/h]	3.35 [0.89]	4.84 [1.28]	7.72 [2.05]	4.84 [1.28]	7.72 [2.05]
Tank Capacity	liter [US gallon]	51 [13.5]	51 [13.5]	100 [26.5]	--	--
Voltage		230V-50Hz	230V-50Hz	230V-50Hz	230V-50Hz	230V-50Hz
		110V-60Hz	110V-60Hz	110V-60Hz	110V-60Hz	110V-60Hz
Dual voltage		110/230V-50Hz	110/230V-50Hz	110/230V-50Hz	110/230V-50Hz	110/230V-50Hz

*Based on upper calorific value H₅

MIR is a product of Munters Italy S.p.A., Italy.

Order information

MIR-XX-X-X e.g., MIR-55-W-V

Code for specifying size in kW.

37, 55, 85

Code for specifying the extra equipment.

W wheels

S suspended

Code for specifying voltage.

E 230V-50Hz

U 110V-60Hz

V 110/230V-50Hz

For accessories see separate leaflet.



Munters, HumiCool Division, Isafjordsgatan 1, P.O. Box 1150, SE-164 26 Kista, Sweden. Phone +46 8 626 63 00, Fax +46 8 754 56 66.

Munters Italy S.p.A., Corso Inghilterra 15, 12084 Mondovi, Italy. Phone +39 0174 560 600, Fax +39 0174 560 617.

www.munters.com

Australia Munters Pty Limited, Phone +61 2 6025 6422, **Brazil** Munters Brasil Industria e Comercio Ltda, Phone +55 41 3317 5050, **Canada** Munters Incorporated, Phone +1 905 858 5894, **China** Munters Air Treatment Equipment (Beijing) Co. Ltd., Phone +86 10 80 481 121, **Denmark** Munters Turbovent, Phone +45 9862 3311, **Finland** Munters Oy, Phone +358 9 83 86 030, **France** Munters France S.A., Phone +33 1 34 11 57 50, **Germany** Munters Euroform GmbH, Phone +49 241 89 00 0, **India** Munters India, Phone +91 20 3052 2520, **Indonesia** Munters, Phone +62 21 9105 4467, **Italy** Munters Italy S.p.A., **Chiusavecchia** Phone +39 0183-52 11, Munters Italy S.p.A., **Mondovi** Phone +39 0174 560 600, **Japan** Munters K.K., Phone +81 3 5970 0021, **Kingdom of Saudi Arabia and Middle East** Hawa Munters, Phone +966 1 241 8808, **Korea** Munters Korea Co. Ltd., Phone +82 2 761 8701, **Mexico** Munters Mexico, Phone +52 818 262 54 00, **Russia** Munters Europe AB, Phone +7 812 448 5740, **Singapore** Munters Pte Ltd., Phone +65 744 6828, **South Africa and Sub-Sahara Countries** Munters (Pty) Ltd., Phone +27 11 997 2000, **Spain** Munters Spain S.A., Phone +34 91 640 09 02, **Sweden** Munters Europe AB, Phone +46 8 626 63 00, **Thailand** Munters Co. Ltd., Phone +66 2 645 2708 12, **United Kingdom** Munters Ltd., Phone +44 845 644 3980, **USA** Munters Corporation **Fort Myers** Phone +1 239 936 1555, Munters Corporation **Mason** Phone +1 888 335 0100, **Vietnam** Munters Vietnam, Phone +84 8 825 6838, **Export & Other countries** Munters Europe AB, Phone +46 8 626 63 00.

Your closest distributor