



S850 - T870

New Generation Loaders



Handling experts

The Bobcat S850 skid-steer loader and T870 compact tracked loader are packed with power and performance. They provide operators with industry-leading lifting heights as well as more efficient hydraulics and better lifting capacity and reach. Pushing power and horsepower are increased, there's more fuel capacity and operating comfort is improved.

Higher rated operating capacities, combined with larger bucket capacities (213 cm/668 litres for the T870, and 203 cm/473 litres for the S850), make these machines ideal for all kinds of handling jobs.

■ Material handling

- Lifting height has been increased
- The loaders can easily lift and transport pallets of more than 1.5 tons (additional counterweights can be added for even more lifting potential)
- Digging power is enhanced
- A second speed (standard on the S850) allows faster travel – 20 km/h for the S850 and 18 km/h for the T870

■ Ship trimming

- The sealed and pressurized cab keeps dust and debris out of the operator's environment
- The machines are compact and lightweight – the S850 weighs less than 5 tons (4540 kg)
- Improved access makes cleaning the oil cooler and radiator easier



Powerful performers

Hydraulic power has been optimized by ensuring that peak flow occurs close to the rated engine load, providing better fuel efficiency and engine cooling. This means that the attachments requiring the highest flow can be used, including the WS32 wheelsaw which cuts to a depth of 800 mm, the 1-metre planer or heavy duty grader.

A new level:

- The T870 gives the best pushing power in its category, thanks to higher weight (5751 kg) and a powerful 99 HP engine. On jobs like grading, it sets new standards of productivity for compact tracked loaders.
- A substantial machine weight with longer and wider tracks on the ground, plus our durable Roller Suspension™ system, guarantee more stability and a smoother ride over long distances.



Kings of the forest

With enhanced hydraulic, lifting and cooling capabilities, plus unbeatable durability, these machines take even the toughest forestry tasks in their stride.

■ Pushing the limits of productivity

Increased lifting height: approximately 12% more height allows you to load higher trucks or operate the Forestry Cutter with ease.

Longer tank range: additional tank capacity and better fuel efficiency allow you to keep working longer, even in remote areas.

Improved cooling capacity: the fan is larger and the fan shroud has been redesigned for more efficient cooling.

Protected components: the quick couplers ① and rear bumper are structurally integrated, protecting them from trees or obstacles.

Easier cleaning: access to the radiator ② has been improved for easier maintenance.

Compact convenience: the machine is easily transported on a truck and can work easily in tight forest environments.

Better visibility: the "cab forward" design with larger windows at the side, rear and top, and a bigger front door improve the all-round view. Front lighting has also been enhanced with 50% higher output.



The hydraulic quick couplers ① are fixed directly to the front plate of the lifting arm, providing a solid mounting. The quick coupler hoses are run inside the loader arms for better protection.



First class comfort

We made our loader cabs 10% larger, and redesigned the interior to allow operators to adjust the environment to their individual preferences. New engine mounts provide better isolation from vibration and noise.

Full-featured interior:

- Roller Suspension™ standard on T870
- Spacious pressurized cab with panoramic visibility
- Selectable Joystick Control standard
- Longer fuel runtimes
- MP3 compatible, radio-ready stereo
- Full-colour Deluxe instrumentation panel (optional)
- 2nd speed standard on S850 (optional on T870)



Bobcat new generation loaders have a best-in-class pressurised cab. This features a new one-piece seal that goes all the way around the door and fits into a special curved pocket, keeping dirt and dust out of the operating environment. Sound levels have been decreased by more than 60%, providing improved comfort for the operator.



MP3 compatible, radio-ready stereo and 12 V power outlet, SJC



Full-colour Deluxe instrumentation panel



Comfortable seat with fully adjustable suspension



Heating and air conditioning

	S850	T870
Machine Rating		
Rated operating capacity (ISO 14397-1)	1850 kg	1584 kg
Tipping load	3700 kg	4526 kg
Pump capacity	87.1 l/min	90.1 l/min
Pump capacity (with high flow option)	140 l/min	141.6 l/min
System relief at quick couplers	238–245 bar	238–245 bar
Max. travel speed (low range)	11.4 km/h	10.5 km/h
Max. travel speed (high range)	19.8 km/h	18.3 km/h

Engine		
Make / Model	Kubota / V3800-DI-T-E3	
Fuel / Cooling	Diesel / Liquid	
Maximum power	68.6 kW	74 kW
Torque (SAE J1995)	314.5 Nm (at 1600 RPM)	325 Nm (at 1600 RPM)
Number of cylinders	4	
Displacement	3769 cm ³	

Weights		
Operating weight	4540 kg	5751 kg

Controls		
Vehicle steering	Direction and speed controlled by two joysticks	
Loader hydraulics tilt and lift	Selectable Joystick Control (SJC)	
Front auxiliary (standard)	Electrical switch on right-hand joystick	

Drive System		
Transmission	Infinitely variable tandem hydrostatic piston pumps, driving two fully reversing hydrostatic motors	

Fluid Capacities		
Cooling system capacity with heater	14.4 l	18.5 l
Cooling system capacity w/o heater	-	15.1 l
Engine oil with filter capacity	11.4 l	11.4 l
Fuel tank capacity	124.2 l	134.8 l
Hydraulic reservoir capacity	11.4 l	11.4 l
Hydraulic / hydrostatic system capacity	36 l	36 l

Environmental		
Operator LpA (EU Directive 2006/42/EC) / (uncertainty)	81.7 dB (A) / 2.5 dB (A)	82.4 dB (A) / 2.5 dB (A)
Noise level LWA (EU Directive 2000/14/EC)	102 dB (A)	104 dB (A)
Whole body vibration (ISO 2631-1) / (uncertainty)	0.6 ms ⁻² / 0.3 ms ⁻²	1.5 ms ⁻² / 0.6 ms ⁻²
Hand-arm vibration (ISO 5349-1)	0.71 ms ⁻²	0.49 ms ⁻²

Standard Features

S850	T870
Selectable Joystick Controls (SJC)	Selectable Joystick Controls (SJC)
2nd speed	Roller Suspension™ undercarriage
14 x 17.5 HD tyres, 12 ply	450 mm rubber tracks
	Enclosed cab

Options

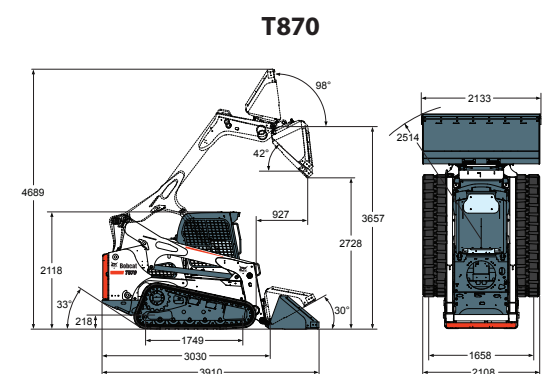
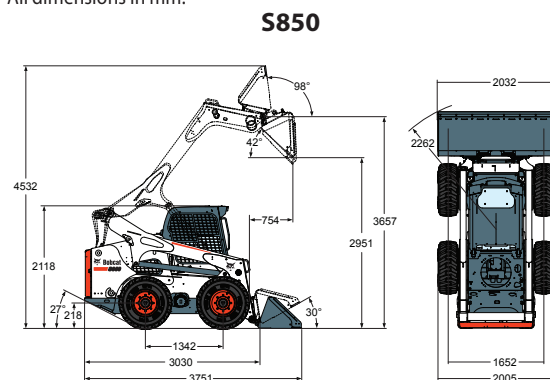
S850	T870
High Flow Hydraulics	High Flow Hydraulics
Cab enclosure with heating	Cab enclosure with heating
Cab enclosure with heating and air conditioning	Cab enclosure with heating and air conditioning
Deluxe instrumentation panel	Deluxe instrumentation panel
Power Bob-Tach	Power Bob-Tach
SCPA (Standard Control Power Assist)	2 nd speed
14 x 17.5, 12 ply, Severe Duty tyres	
14 x 17.5, 12 ply, Solid Flex tyres	
14 x 17.5, 12 ply, Severe Duty tyres, Poly-filled	

Attachments

Angle Broom	Mower
Auger	Pallet Forks, Hydraulic
Bale Fork	Pallet Forks, Standard
Brush Saw	Snowblower
Buckets	Sod Layer
Concrete Pump	Soil Conditioners
Dozer Blade	Spreader
Dumping Hopper	Stabilizer, Rear Quick-Tach
Flail Cutter	Stump Grinder
Forestry Cutter	Tree Transplanter
Grader	Vibratory Rollers
Grapple, Industrial	Water Kit
Grapple, Root	Wheel Saw
Hydraulic Breaker	Wood Chipper
Mixing Bucket	

Dimensions

All dimensions in mm.



www.bobcat.eu



Bobcat®

Specifications and design are subject to change without notice. Pictures of Bobcat products may show other than standard equipment.

